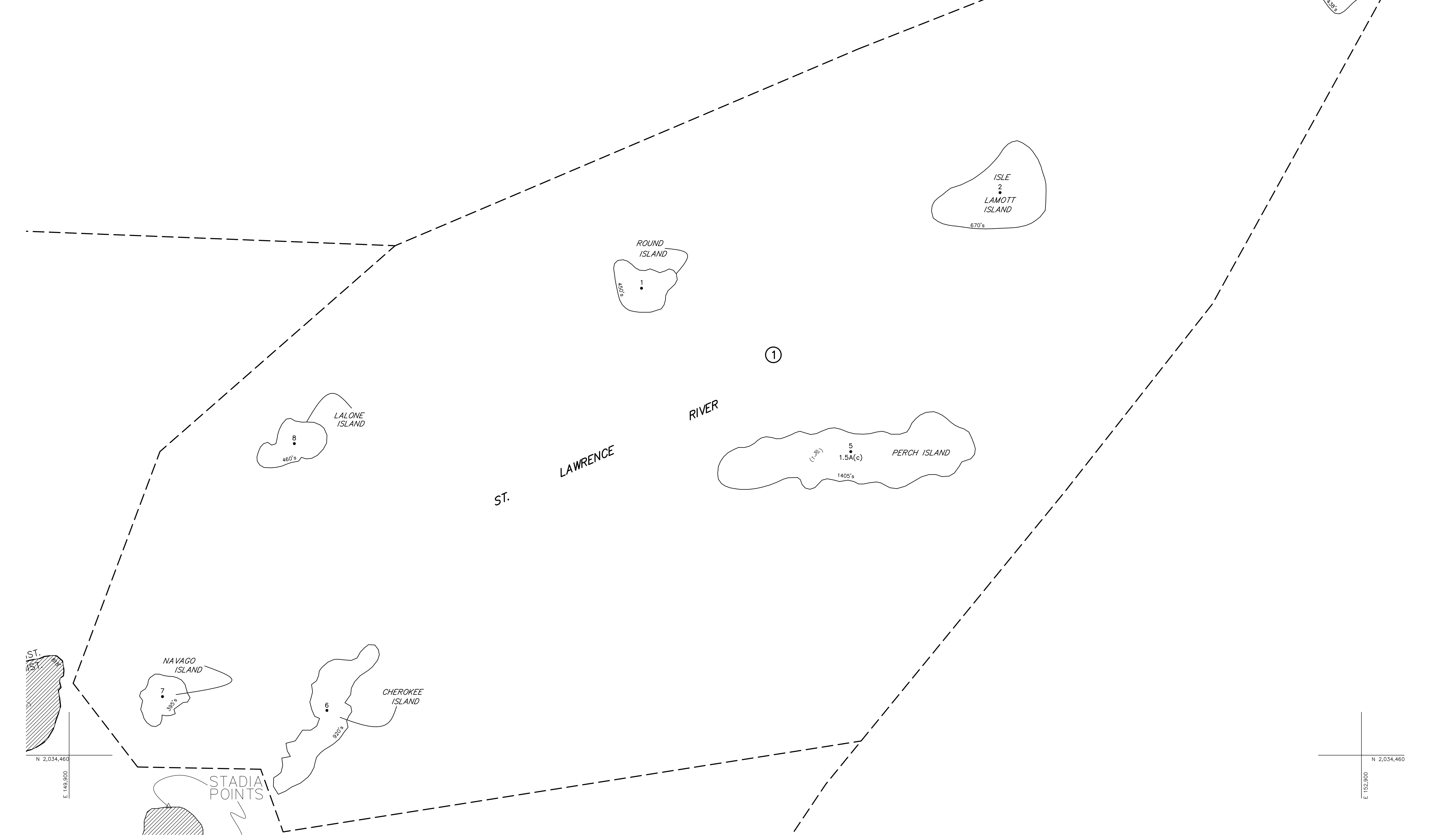


3.



UNLESS DRAWN OTHERWISE, ALL PROPERTIES ARE WITHIN THE FOLLOWING DISTRICTS :

| | | | |
|--------|--------|--------------|--|
| SCHOOL | 454201 | WATER | |
| FIRE | 7507 | SEWER | |
| LIGHT | | AGRICULTURAL | |

THIS MAP WAS PREPARED FOR TAX PURPOSES ONLY
NOT TO BE USED FOR CONVEYANCE

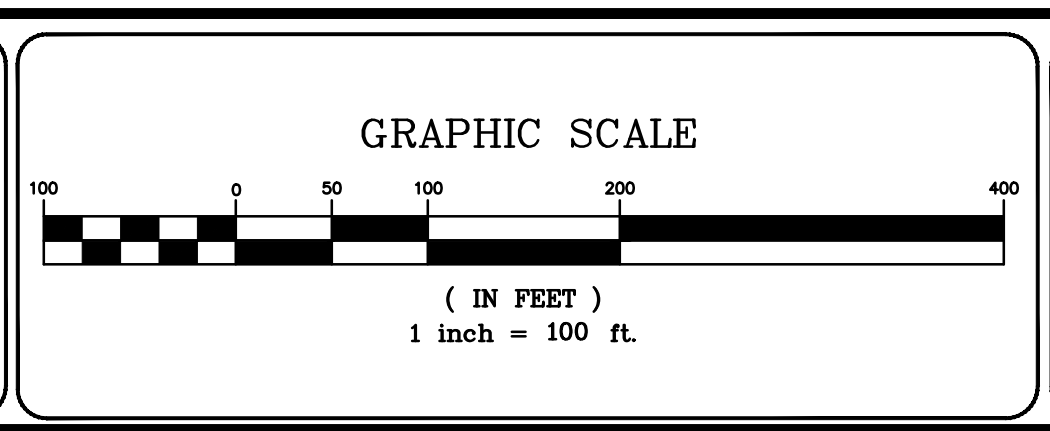
NOTICE OF DISCLAIMER

This map represents a compilation of graphical and textual information from deeds and surveys, a planimetric base map, and digital conversions of hand drawn mylar maps. Errors and omissions can occur from each of these sources; each source represents a large number of records and originators of information. As a practical matter, the County does not warrant the accuracy or completeness of the information portrayed. The end user of these maps agrees to accept the data "as is" with the full knowledge that errors and omissions may exist, and to hold harmless the County for any damages that may result from an inappropriate use of these maps.

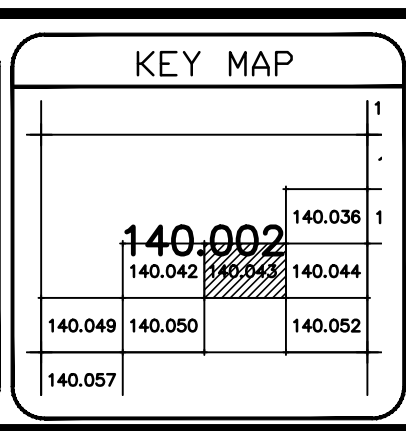
DRAWING LEGEND

| | | | | | |
|------------------------|-----------|-------------------------------|-----------|---------------------|-----------|
| International Boundary | — — — — — | Denotes Common Owner Railroad | — — — — — | Block No. | ① |
| County Boundary | — — — — — | Water | — — — — — | Parcel No. | 27 |
| Town Boundary | — — — — — | Black Limit Line | — — — — — | Subdivision Lot No. | (10) |
| Village Boundary | — — — — — | Special District Line | — — — — — | Deed Dimension | 112' |
| Property or R/W Line | — — — — — | Subdivision Lot Line | — — — — — | Scaled Dimension | 27's |
| | | | | Deed Area | (27.21.3) |
| | | | | Calculated Area | 148.2A(c) |

ST. LAWRENCE COUNTY
NEW YORK
REAL PROPERTY
COUNTY OFFICE BUILDING
CANTON, NEW YORK 13617
(315) 379-2272 OFFICE
(315) 229-3222 FAX



| REVISIONS | DATE | BY |
|-----------|------|----|
| 7 | | |
| 6 | | |
| 5 | | |
| 4 | | |
| 3 | | |
| 2 | | |
| 1 | | |



TOWN OF: **HAMMOND**
DISTRICT NO.: **404289**
Date of Conversion: 01/20/09 JIM

SECTION NO.
140.043
PROPERTY MAP