

ST. LAWRENCE RIVER

ST. LAWRENCE RIVER  
CHIPPENWA RIVER BAY

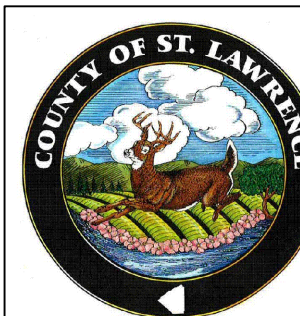
UNLESS DRAWN OTHERWISE, ALL PROPERTIES ARE WITHIN THE FOLLOWING DISTRICTS :

SCHOOL	454201	WATER	
FIRE	7507	SEWER	
LIGHT		AGRICULTURAL	

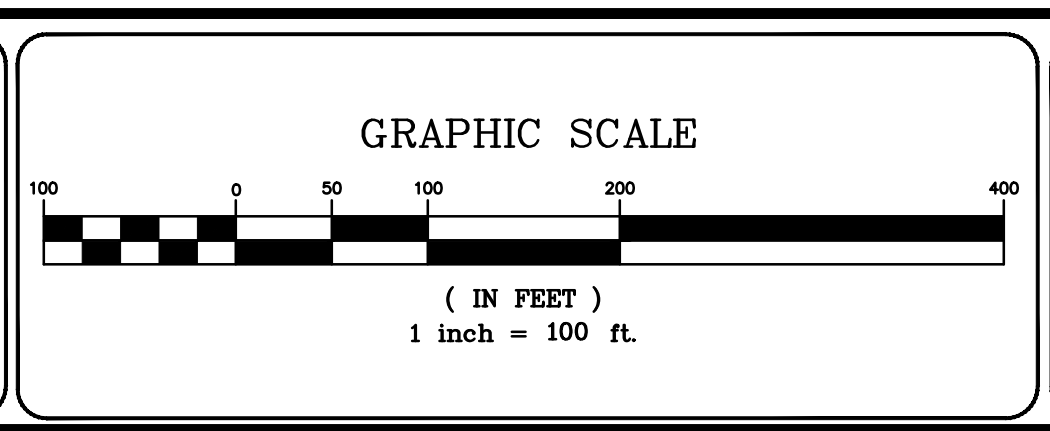
THIS MAP WAS PREPARED FOR TAX PURPOSES ONLY  
NOT TO BE USED FOR CONVEYANCE

**NOTICE OF DISCLAIMER**  
This map represents a compilation of graphical and textual information from deeds and surveys, a planimetric base map, and digital conversions of hand drawn mylar maps. Errors and omissions can occur from each of these sources; each source represents a large number of records and originators of information. As a practical matter, the County does not warrant the accuracy or completeness of the information portrayed. The end user of these maps agrees to accept the data "as is" with the full knowledge that errors and omissions may exist, and to hold harmless the County for any damages that may result from an inappropriate use of these maps.

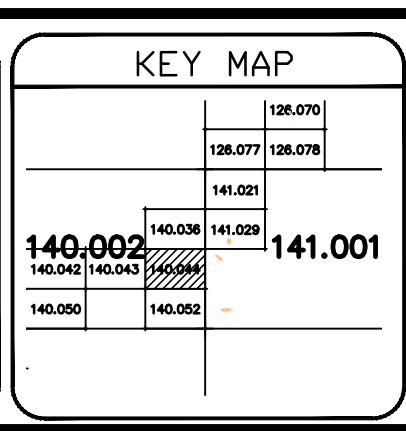
DRAWING LEGEND	
International Boundary	Denotes Common Owner
County Boundary	Railroad
Town Boundary	Water
Village Boundary	Black Limit Line
Property or R/W Line	Special District Line
	Subdivision Lot Line
Block No.	1
Parcel No.	27
Subdivision Lot No.	(10)
Deed Dimension	112'
Scaled Dimension	27'
Deed Area	(27.25)
Calculated Area	148.2A(c)



ST. LAWRENCE COUNTY  
NEW YORK  
REAL PROPERTY  
COUNTY OFFICE BUILDING  
CANTON, NEW YORK 13617  
(315) 379-2272 OFFICE  
(315) 229-3222 FAX



REVISIONS	DATE	BY
7		
6		
5		
4		
3		
2		
1		



TOWN OF: **HAMMOND**  
DISTRICT NO.: **404289**  
Date of Conversion: 01/20/09 JIM

SECTION NO.  
**140.044**  
PROPERTY MAP